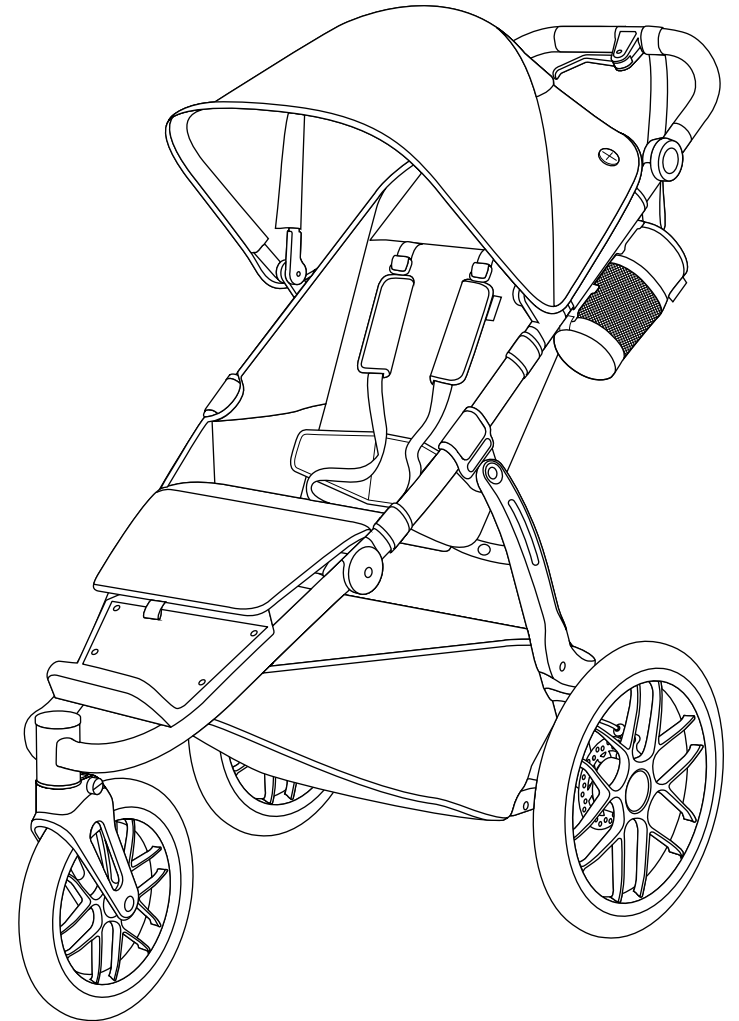


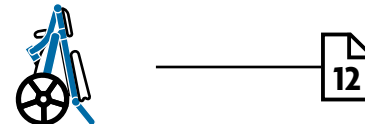
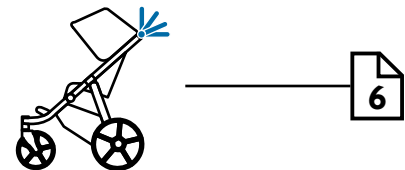
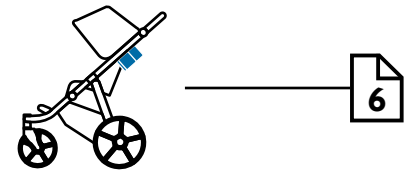
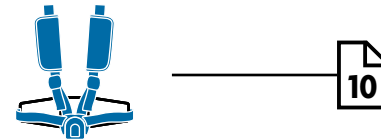
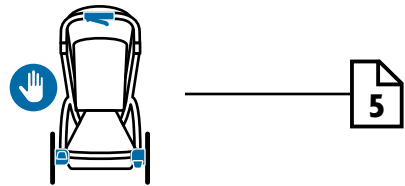
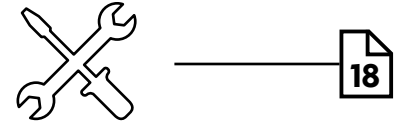
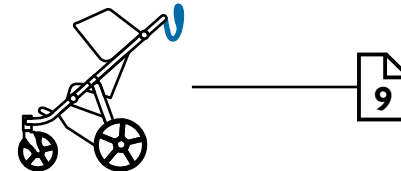
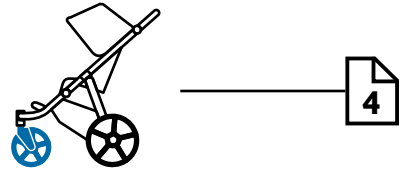
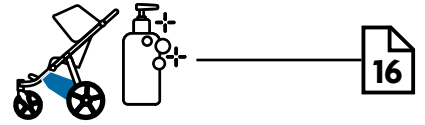
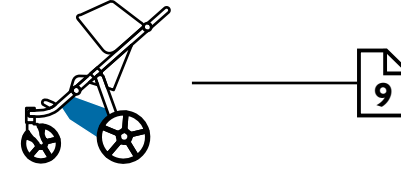
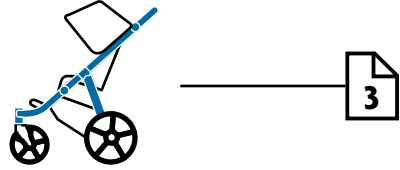
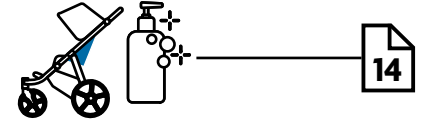
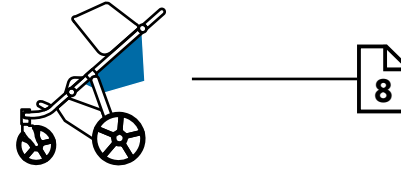
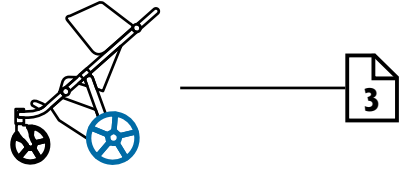
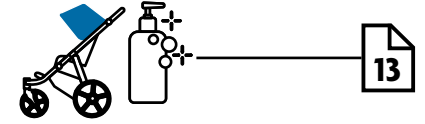
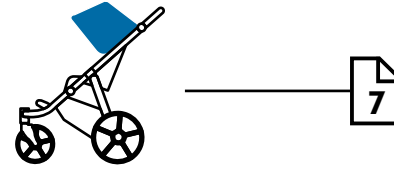
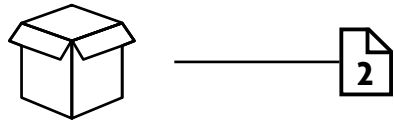
UPPAbaby®
RIDGE™

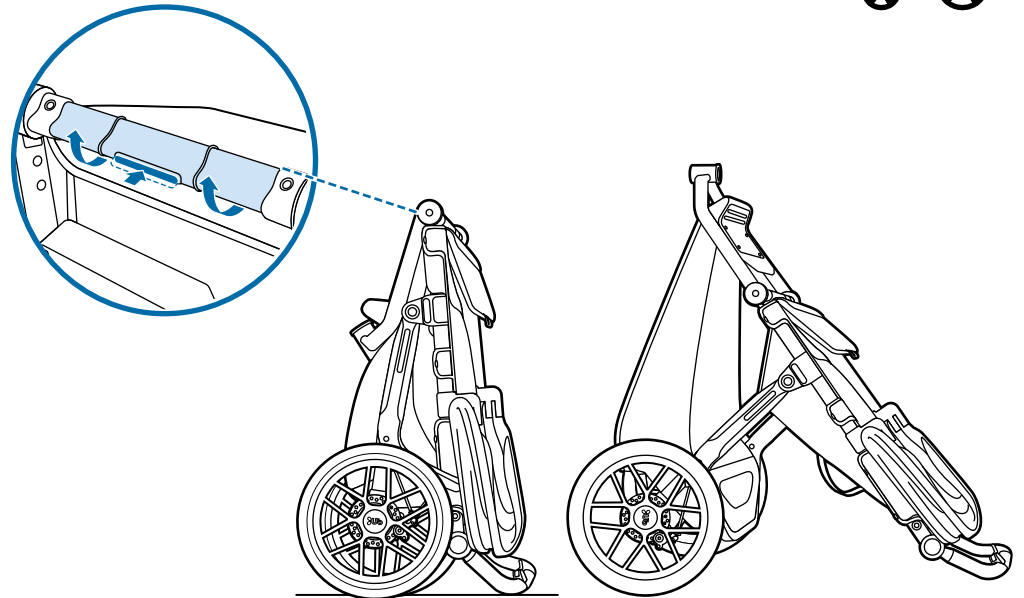
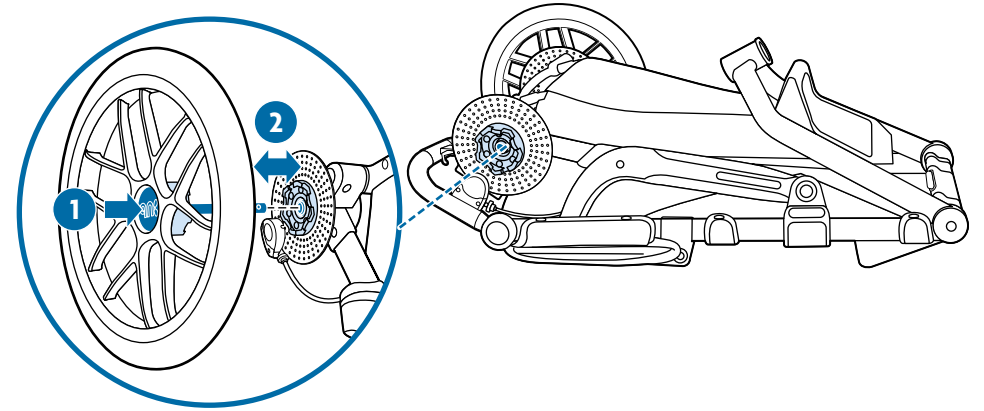
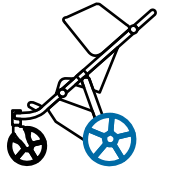
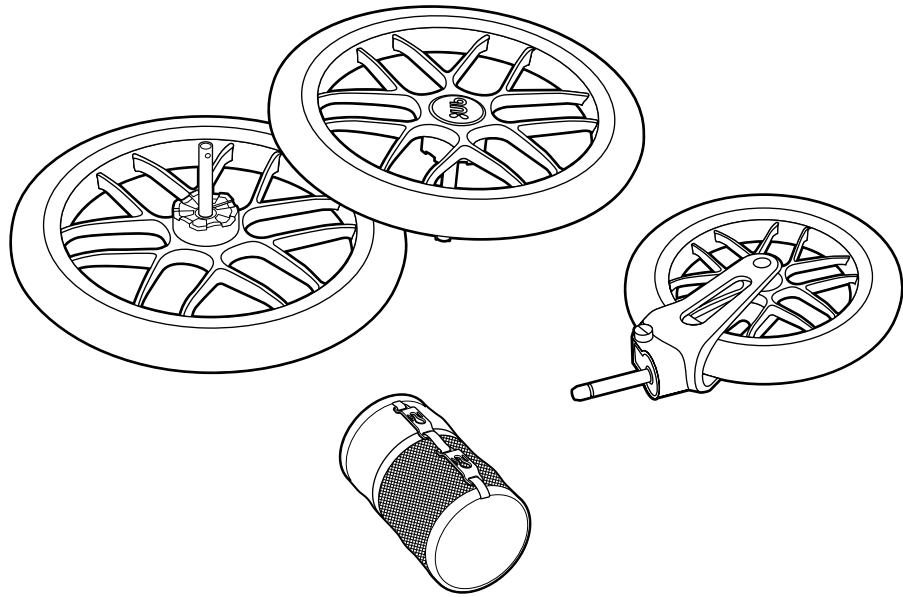
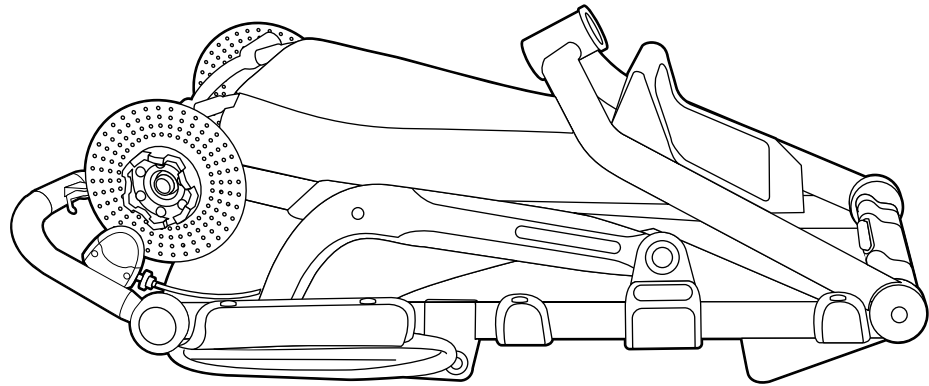
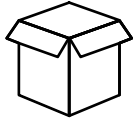


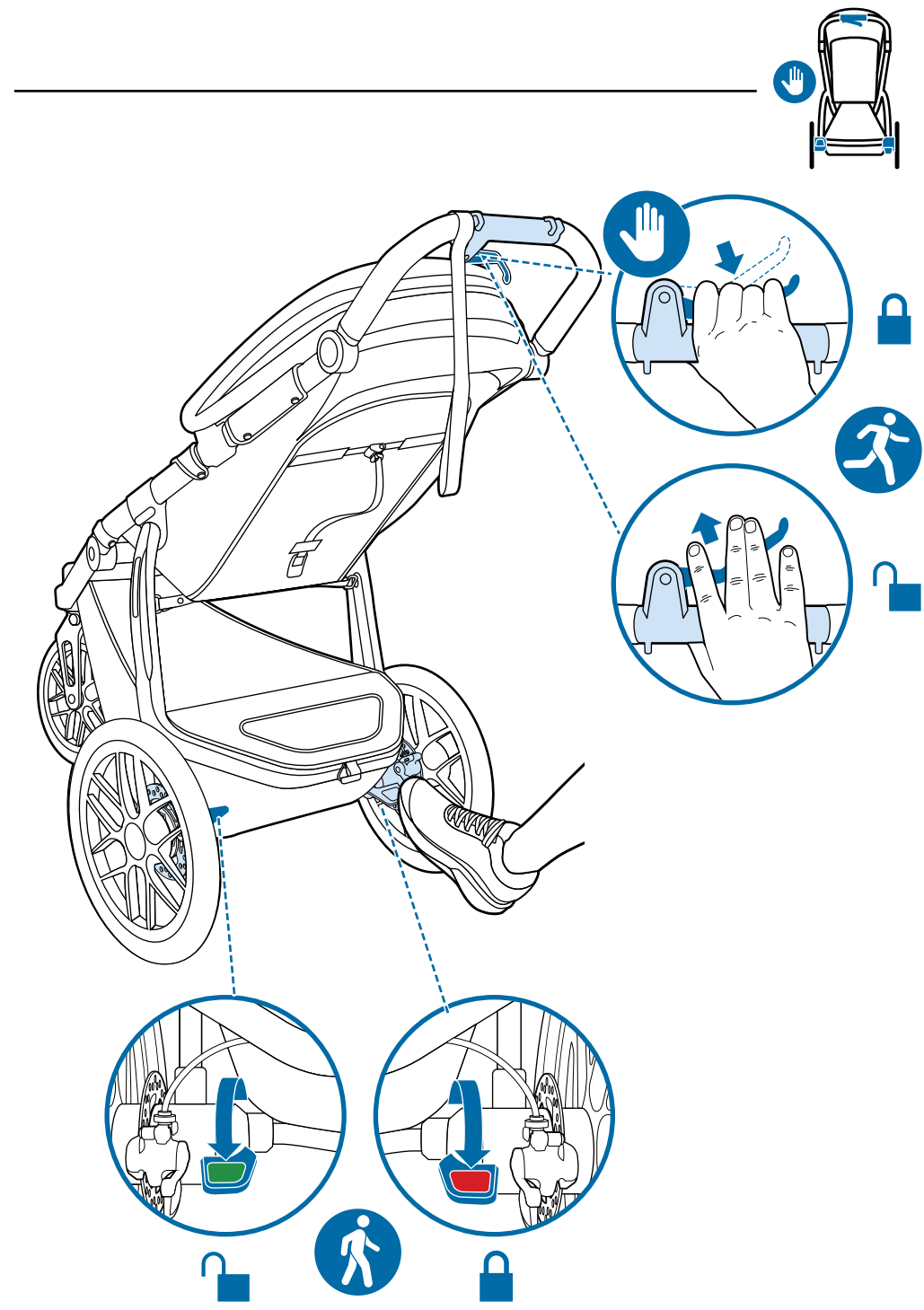
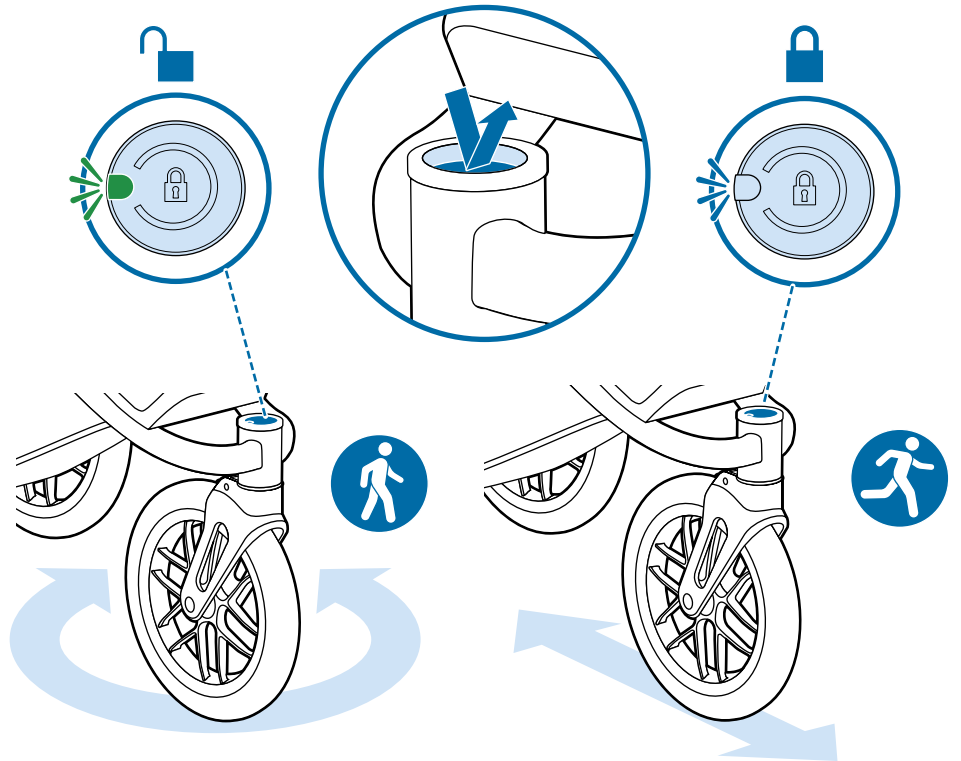
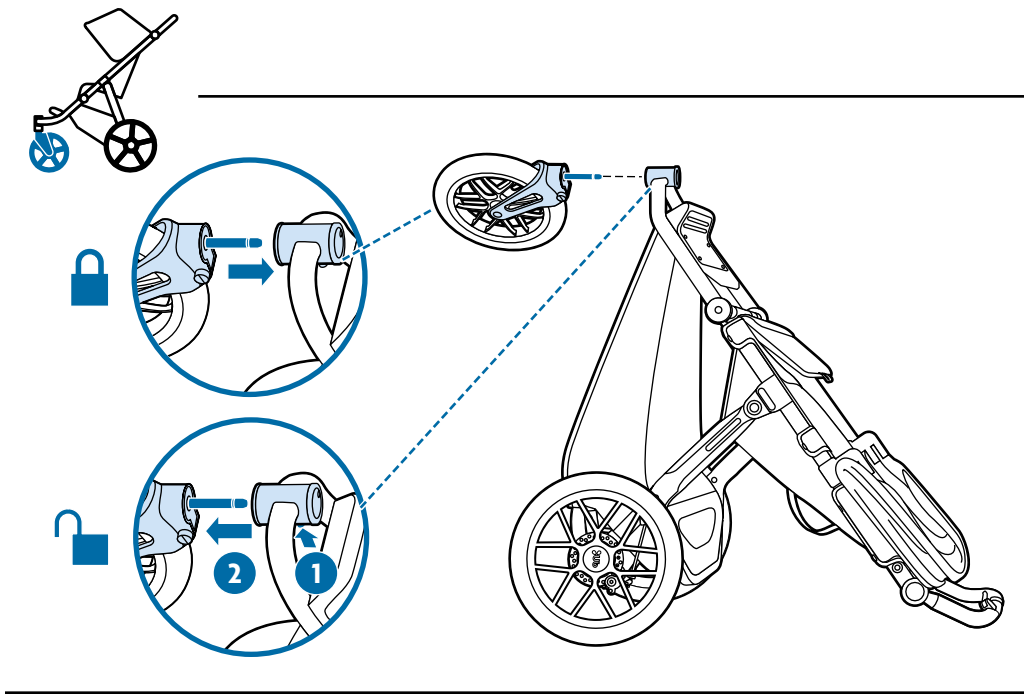
USA | UPPAbaby, 276 Weymouth Street, Rockland, MA 02370
Canada | UPPAbaby Canada, 201 Wicksteed Avenue, Suite 2, Toronto, Ontario M4G 0B1
uppababy.com | 1.844.823.3132

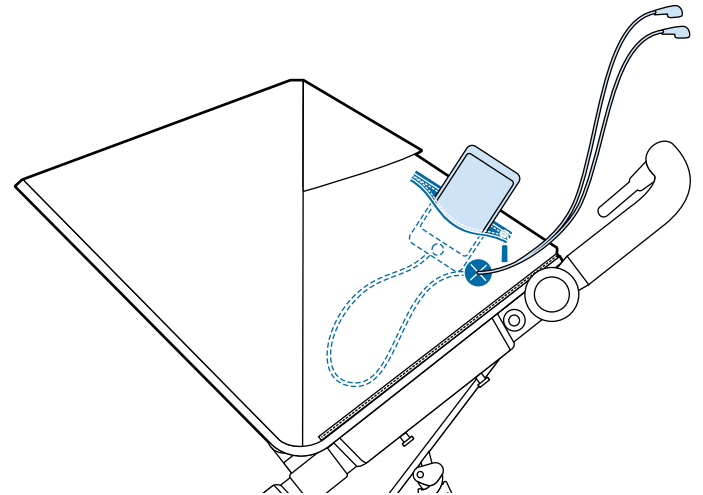
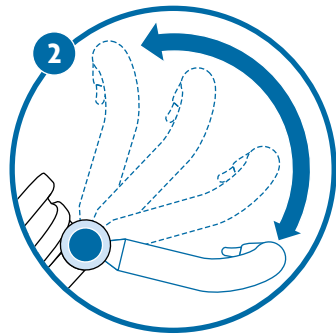
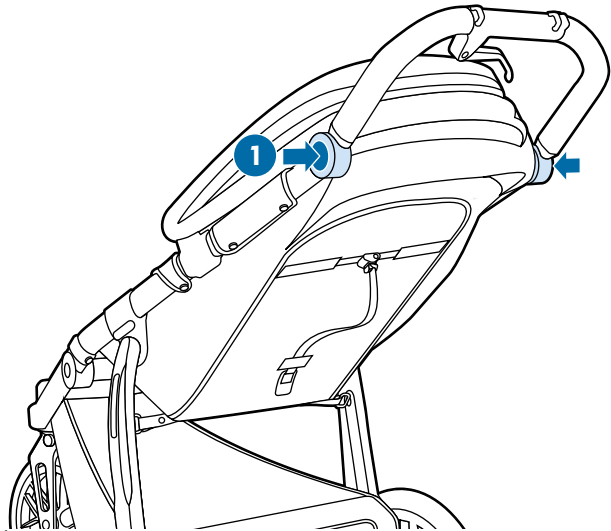
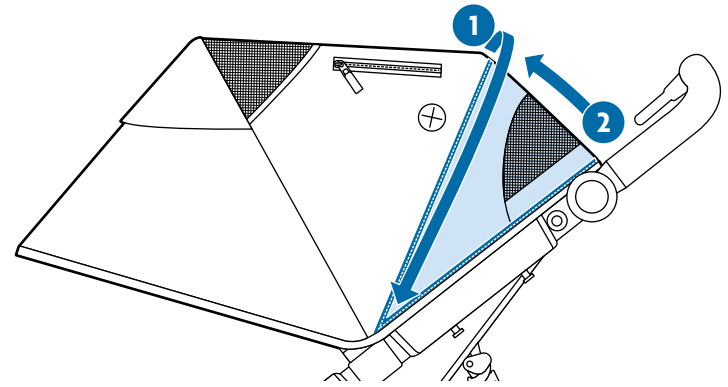
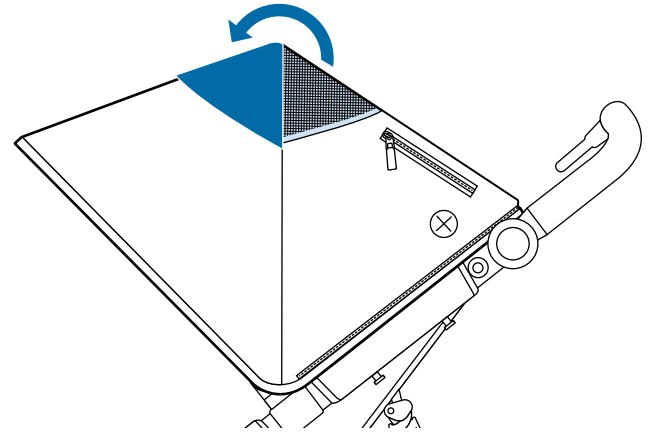
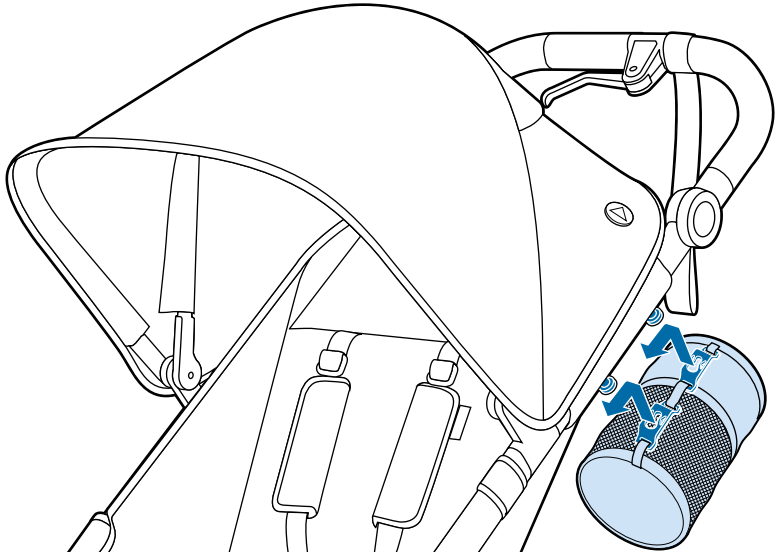
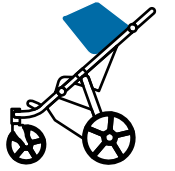
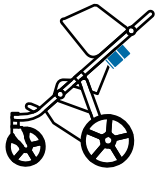
Model 1401-RDG | 1402-RDG

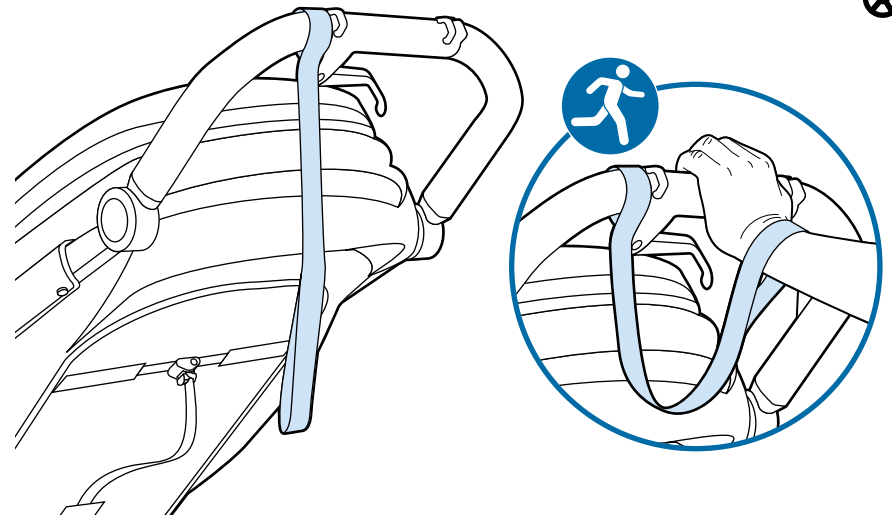
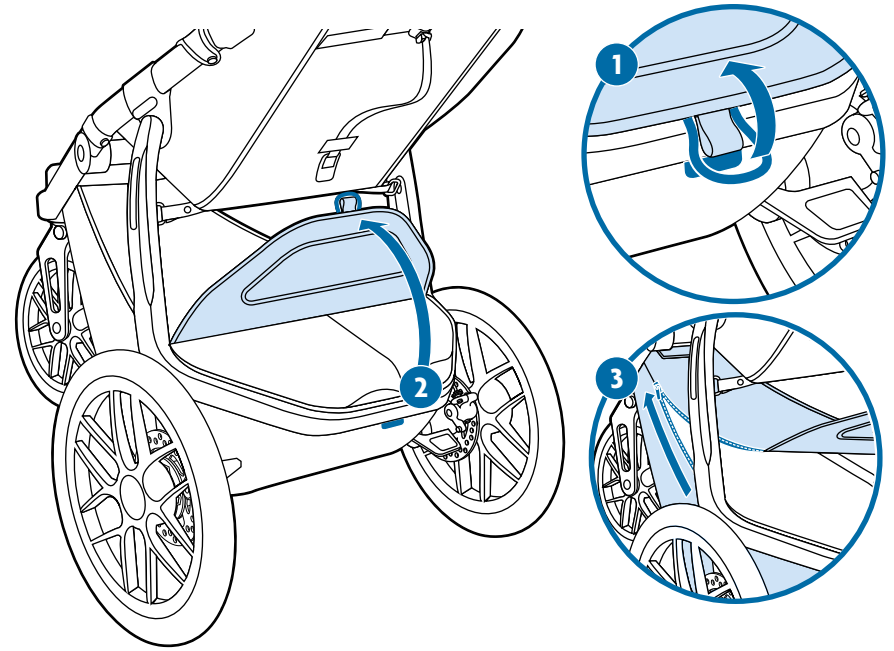
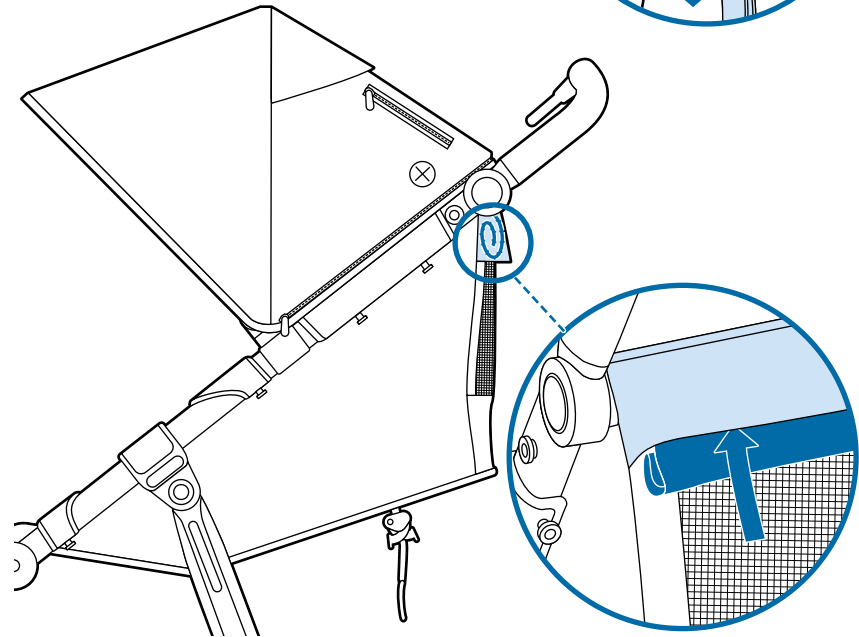
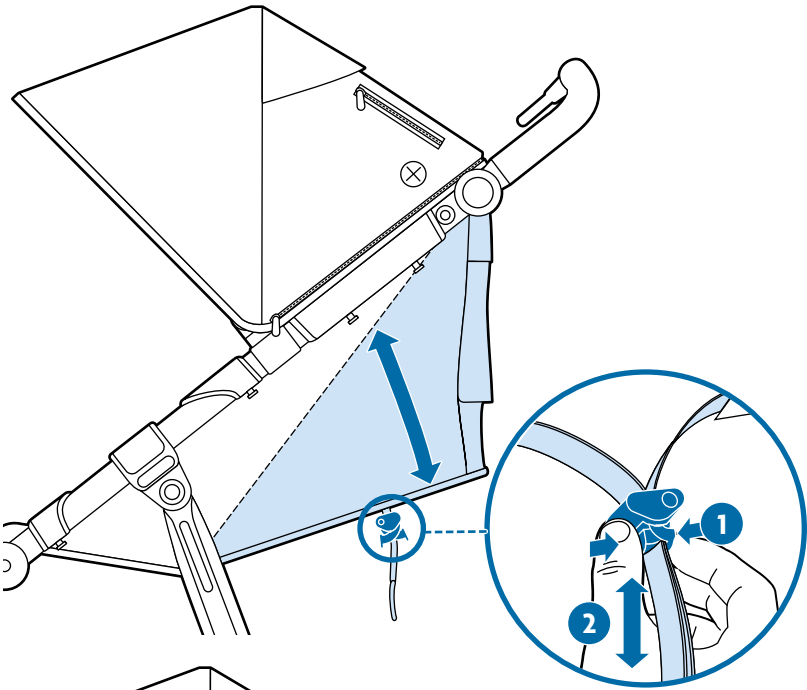
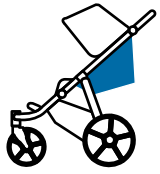
All rights reserved. © 2023 UPPAbaby. UPPAbaby and all associated logos are trademarks. All product specifications are correct at time of print. UPPAbaby reserves the right to change anything at any time without prior notice. Color representation is as close as print processes allow. Not all colors available at all retailers. UBMAN160-V02













AUSTRALIA ONLY

